



webcontrol

WEBCONTROL MACHINERY CORP.

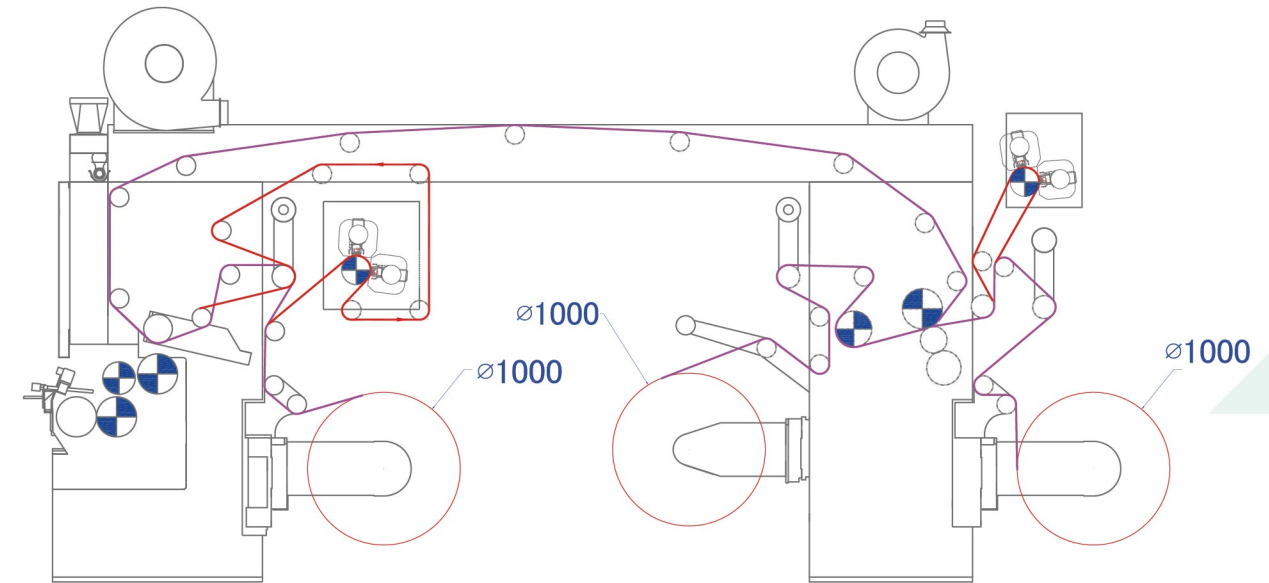
No.1, Jing-Ke 7th Road,
Taichung Precision Machinery Park,
Taichung 40852, Taiwan
TEL : +886-4-23587272
FAX : +886-4-23580882
E-mail : sales@webcontrol.com.tw
http : //www.webcontrol.com.tw



webcontrol
LAMINATING MACHINE

COMPACT TYPE

LMC-SF Series

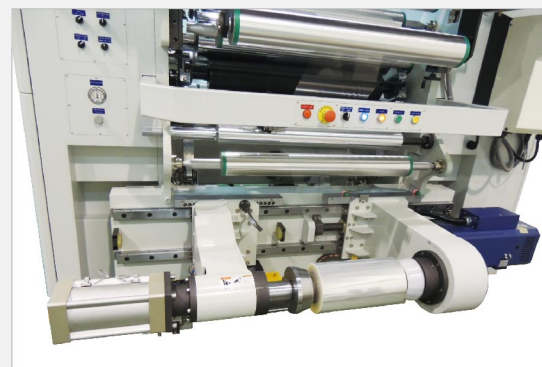


SPECIFICATIONS :

Model	LMC-SF Series
Max. Machine Speed	500m/min
Shaft Type	Shaftless
Material Width	800mm / 1000mm / 1300mm
Min. Material Width	300mm / 400mm / 400mm
Coating Width Range	800mm / 1000mm / 1300mm
Min. Coating Width	280mm / 380mm / 380mm
1st Unwind Diameter	1000mm
2nd Unwind Diameter	1000mm
Rewind Diameter	1000mm
Unwind Paper Core ID	3" (76mm) & 6" (152mm)
Rewind Paper Core ID	6" (152mm)
Unwind Edge Guide	E+L from Germany
Unwind Tension System	Auto. Control by Dancing Roller
Rewind Tension System	Auto. Control by Dancing Roller
Coating Tension System	By Load Cell
Dimensions (mm)	5748 x 3370 x 3009

FEATURES :

- High Performance Laminator
- High Working Speed
- Fast Change Sleeved Roller
- Edge Guide System from E+L
- Adjustable & Precise Coating System
- Heavy Duty, Shaftless Unwind & Rewind Design



STANDARD

- Mixer
- Chiller Roller
- Rewind Lay-on Roller
- 3 x Stand Alone Thermal Unit
- Control System from SIEMENS
- Easy Web Threading with Chain Assist

OPTIONAL

- Corona Treater
- Auto Refilling System
- Coating Weight Measuring System

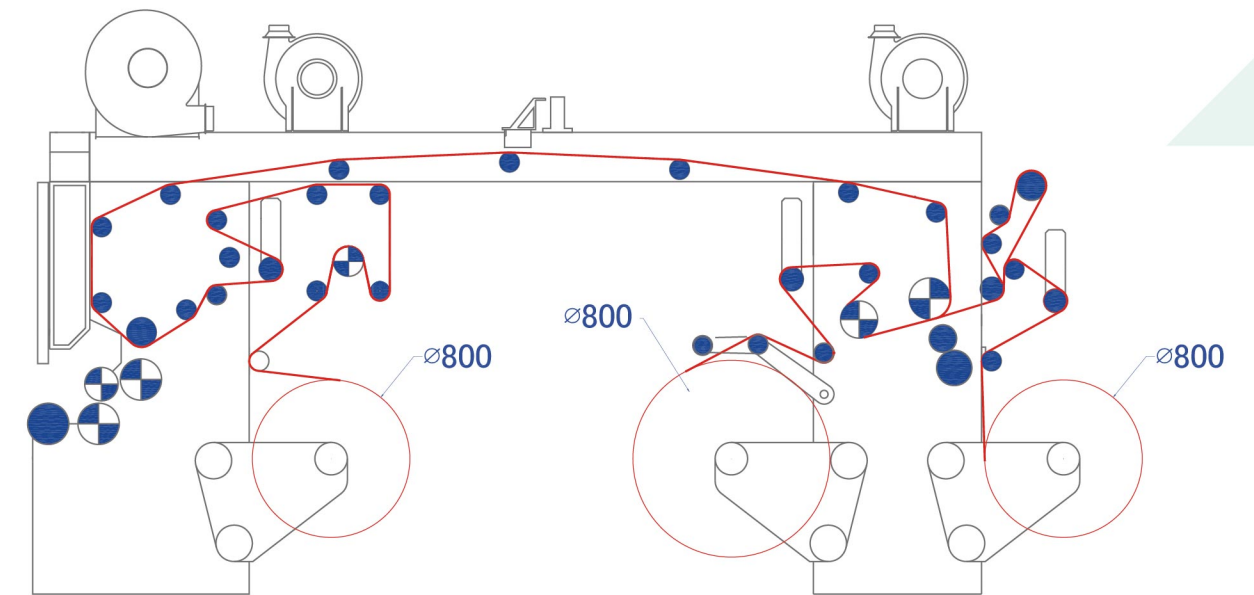
LIGHT TYPE

LME-SF Series



FEATURES :

- Reliable Solventless Compact Laminator
- Five Roller Coating System
- Three Roller Laminating System
- Easy & Quick Cleaning Coating Station
- Accurate Adhesive Width & Dosing Control
- Closed Loop Tension Control via Dancer Roller



SPECIFICATIONS :

Model	LME-SF Series
Max. Machine Speed	400m/min
Shaft Type	Shaftless
Material Width	800mm / 1000mm / 1300mm
Min. Material Width	300mm / 400mm / 400mm
Coating Width Range	800mm / 1000mm / 1300mm
Min. Coating Width	280mm / 380mm / 380mm
1st Unwind Diameter	800mm
2nd Unwind Diameter	800mm
Rewind Diameter	800mm
Unwind Paper Core ID	3" (76mm) & 6" (152mm)
Rewind Paper Core ID	6" (152mm)
Unwind Edge Guide	Designed By Webcontrol
Unwind Tension System	Auto. Control by Dancing Roller
Rewind Tension System	Auto. Control by Dancing Roller
Coating Tension System	By Load Cell
Dimensions (mm)	5837 x 3164 x 2966

STANDARD

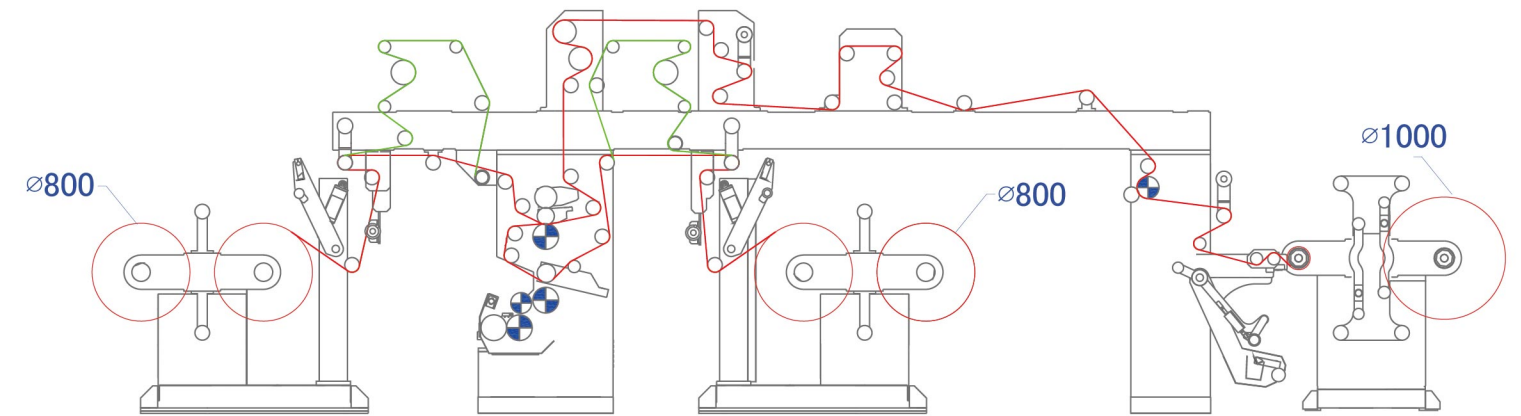
- Mixer
- Rewind Lay-on Roller
- 3 x Stand Alone Thermal Unit
- Control System from SIEMENS

OPTIONAL

- Corona Treater
- Auto Refilling System
- Coating Weight Measuring System

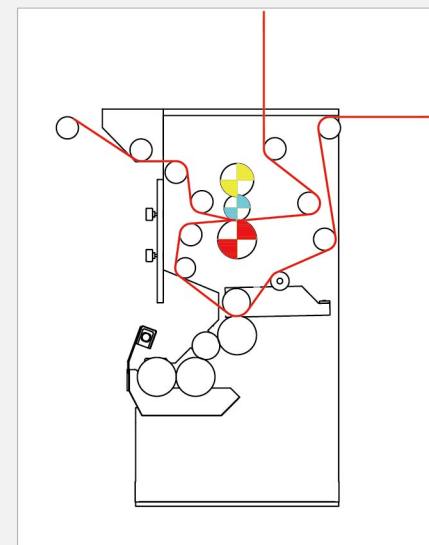
TURRET TYPE

LM-SF-T Series



FEATURES :

- Low Waste Tracing Roller Solution
- Reliable Non-stop Splicing System
- Coating & Laminating Combined Design
- Heavy Duty, Shaftless Unwind & Rewind



SPECIFICATIONS :

Model	LM-SF-T Series
Max. Machine Speed	400m/min
Shaft Type	Shaftless
Material Width	1000mm / 1300mm / 1600mm
Min. Material Width	400mm / 500mm / 800mm
Coating Width Range	1000mm / 1300mm / 1600mm
Min. Material Width	380mm / 480mm / 780mm
1st Unwind Diameter	800mm
2nd Unwind Diameter	800mm
Rewind Diameter	1000mm
Unwind Paper Core ID	3" (76mm) & 6" (152mm)
Rewind Paper Core ID	6" (152mm)
Coating Tension System	By Load Cell
UNWIND TURRET TYPE	
Model	Center Winding Type with Dual Axes
Cutting Device	Knife Located in Top
Unwind Edge Guide	Horizontal Adjustment E.P.C.
Unwind Tension System	Auto. Control by Dancing Roller
REWIND TURRET TYPE	
Model	Center Winding Type with Dual Axes
Cutting Device	Knife Located in Bottom
Rewind Tension System	Auto. Control by Dancing Roller
Dimensions (mm)	11643 x 6925 x 3533

STANDARD

- Mixer
- Rewind Lay-on Roller
- 3 x Stand Alone Thermal Unit
- Control System from Germany or Japan

OPTIONAL

- Corona Treater
- Auto Refilling System
- Cutting Device on Bi-Direction
- Coating Weight Measuring System

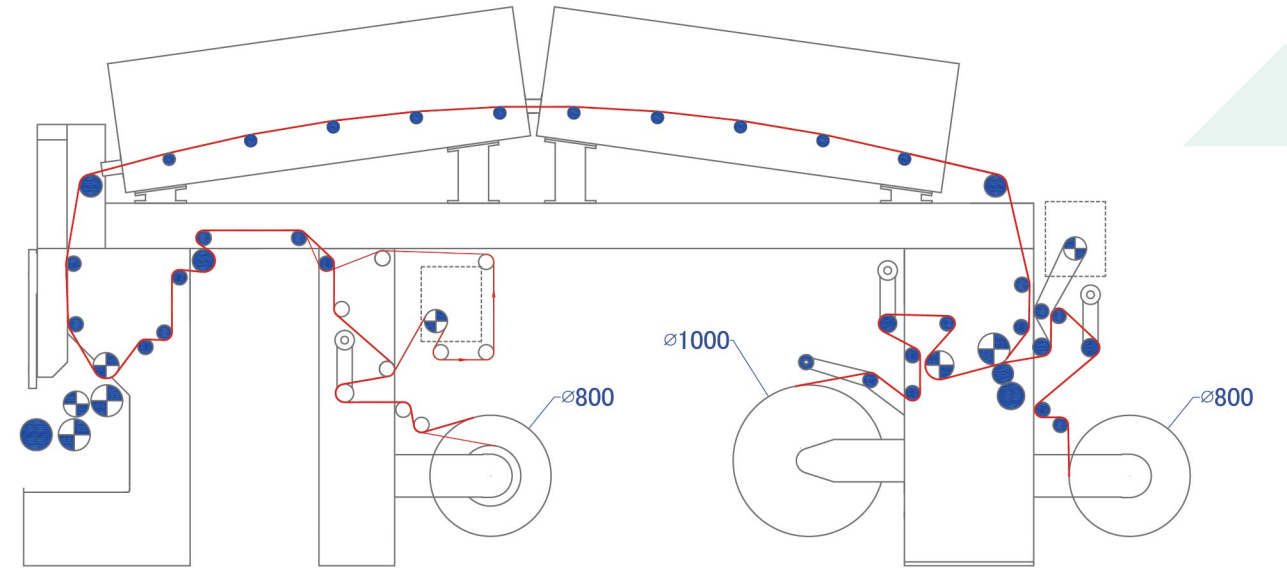
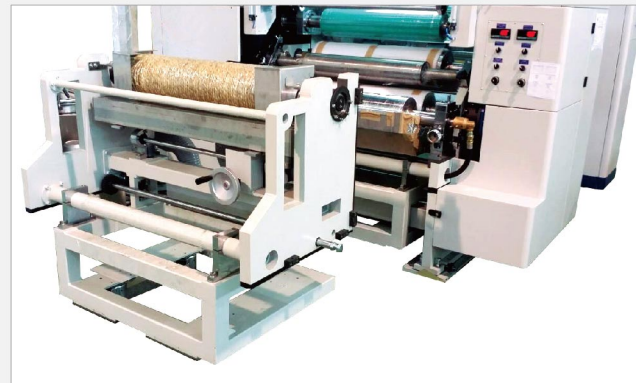
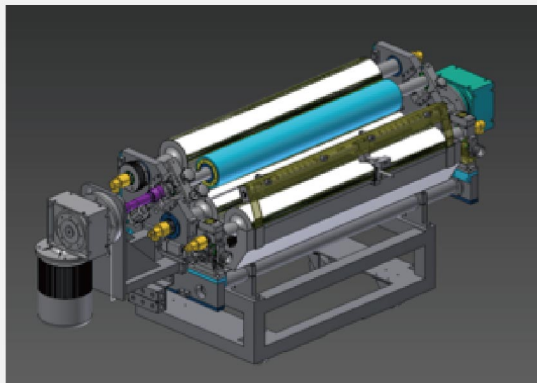
COMBI TYPE

LMC-SF COMBI Series



FEATURES :

- Multi-trolley Coating Station:
- Solventless
- Solvent/Water Based
- Cold Seal
- High Efficiency Dryer
- Full Registration Solutions
- Easy Change over Between Trolleys



SPECIFICATIONS :

Model	LMC-SF-COMBI Series
Max. Machine Speed	400m/min
Shaft Type	Shaftless
Material Width	800mm / 1000 mm / 1300mm
Min. Material Width	300mm / 400 mm / 400mm
Coating Width Range	800mm / 1000 mm / 1300mm
Min. Coating Width	280mm / 380 mm / 380mm
1st Unwind Diameter	800mm
2nd Unwind Diameter	800mm
Rewind Diameter	1000mm
Unwind Paper Core ID	3" (76mm) & 6" (152mm)
Rewind Paper Core ID	6" (152mm)
Unwind Edge Guide	E+L from Germany
Drying System	2 Sections
Unwind Tension System	Auto. Control by Dancing Roller
Rewind Tension System	Auto. Control by Dancing Roller
Coating Tension System	By Load Cell
Dimensions (mm)	7900 x 4850 x 4310

STANDARD

- Mixer
- Rewind Lay-on Roller
- 3 x Stand Alone Thermal Unit
- Control System from SIEMENS

OPTIONAL

- Corona Treater
- Cold Seal include Register
- Coating Weight Measuring System

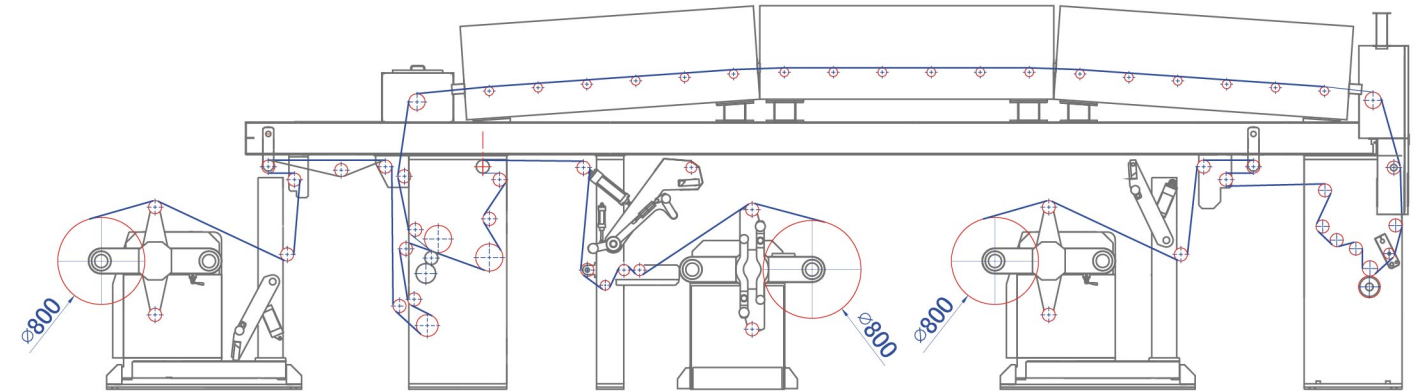
Turret Type

DL Series
DL-S Series



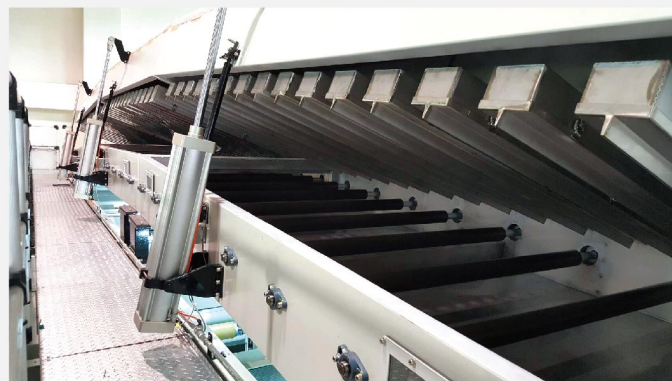
FEATURES :

- Precise Laminating Machine
- Low Solvent Retention
- High Efficiency Drying System
- Specialized for Boning Alum. Foil
- Low Waste Auto Splicing Process



SPECIFICATIONS :

Model	DL Series	DL-S Series
Shaft Type	Shafted	Shaftless
Machine Speed	200m/min 250m/min	300m/min
Material Width	1000mm / 1300mm / 1600mm	
Coating Width Range	600 ~ 1000mm / 1300mm / 1600mm	
1st Unwind Diameter	800mm	
2nd Unwind Diameter	800mm	
Rewind Diameter	800mm	
Unwind Paper Core ID	3" (76mm)	
Rewind Paper Core ID	3" (76mm)	
Drying Section	3 Sections (2.7m per section)	
Unwind Edge Guide	E+L from Germany	
Dimensions (mm)	14667 x 5968 x 4833	



STANDARD

- Tracing Roller
- Smoothing Roll
- Rewind Lay-on Roller
- Double Layer Glue Tank
- Open Doctor Blade System
- Control System from SIEMENS
- Dancing Roller Tension Control
- Rotogravure Coating with Individual Motor

OPTIONAL

- Corona Treater
- Dual Cutter for Turret
- Chamber Doctor System
- Sleeved Type Impression Roller
- Accumulation Device for Low Waste