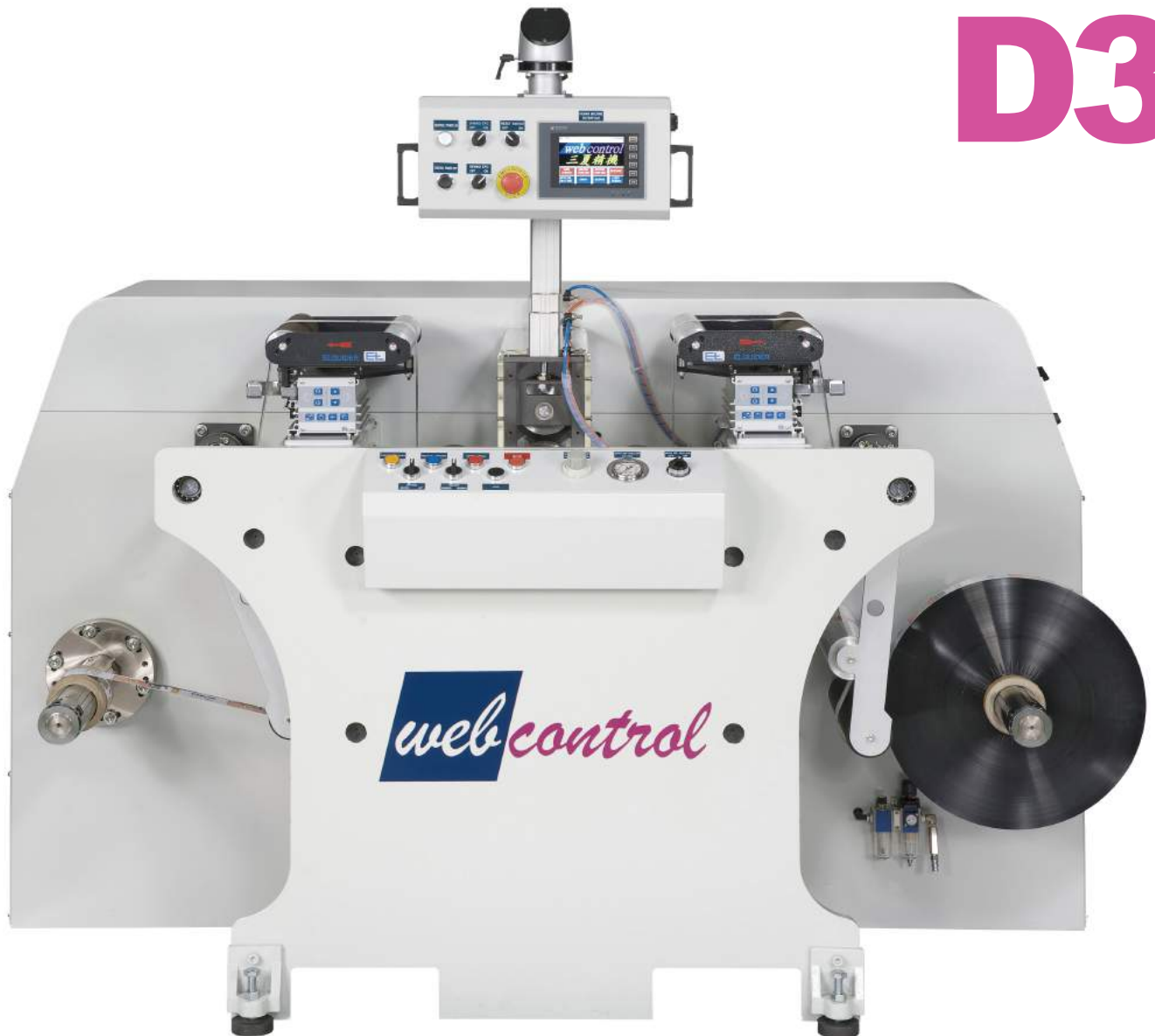


**web control**

**DOCTOR REWINDING MACHINE**  
DOCTOR REWINDING MACHINE

**D3**



**KARLVILLE**

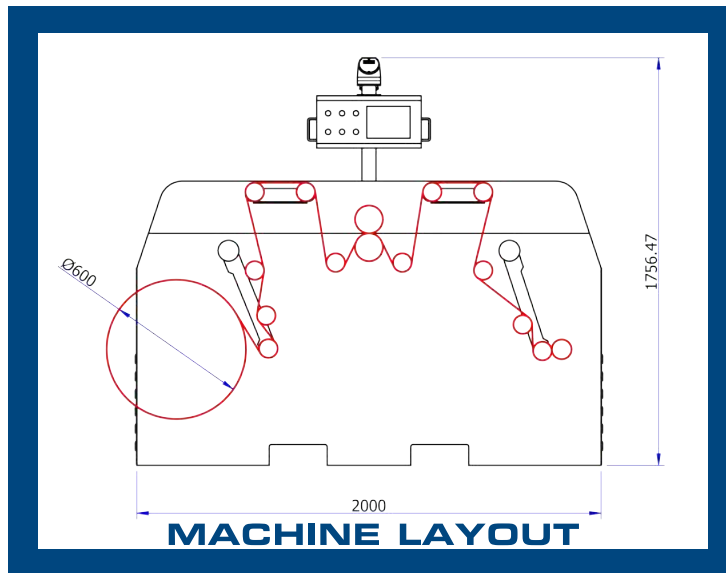
BEYOND CONVERTING

# web control

- High Speed Roll Doctoring with Precision
- Forward and Backward Operation
- Unwind and Rewind Edge Guides
- Closed Loop Tension Control
- Pneumatic Lay-on Rollers

## STANDARD SPECIFICATIONS

Unwind Width	30 - 300mm
Unwind Diameter	600mm
Rewind Width	30 - 300mm
Rewind Diameter	600mm
Machine Speed	400m/min (Depend on width & quality of film)



### KARLVILLE DEVELOPMENT LLC

175 SW 7th Street, Suite#2103  
Miami, FL 33130  
Phone: +1.305.533.1051  
Fax: +1.786.329.5696  
[www.Karlville.com](http://www.Karlville.com)

### WEBCONTROL MACHINERY CORP.

No.1, Jingke 7th Rd., Taichung Precision Machinery Park,  
Taichung, TAIWAN, 40852  
Phone: +886.4.23587272  
Fax: +886.4.23580882  
[www.webcontrol.com.tw](http://www.webcontrol.com.tw)