

# SLITTING & REWINDING MACHINE

PARTNERS COMMITTED TO YOUR SUCCESS



**webcontrol**

**WEBCONTROL MACHINERY CORP.**

No.1, Jinke 7th Rd., Nantun Dist., Taichung City 40852, Taiwan

TEL: +886-4-23587272 FAX: +886-4-23580882 E-mail: sales@webcontrol.com.tw

[www.webcontrol.com.tw](http://www.webcontrol.com.tw)

**YO DEN**

**YO DEN ENTERPRISES CO., LTD**

No.112-59, Qingguang Rd., Wuri Dist., Taichung City 41462, Taiwan

TEL: +886-4-23358588 FAX: +886-4-23357358 E-mail: sales@yoden.com.tw

[www.yoden.com.tw](http://www.yoden.com.tw)



# SLITTING & REWIND INSPECTION MACHINES



Our slitting, rewinding and inspection product line is designed and built to meet the toughest demands of converting customers in over 80 countries. The product line ranges from narrow to wide web machines, designed for precision, speed and dependability. Webcontrol machines convert skillfully a variety of materials from paper to film and laminated substrates to aluminum foil. With integrated concepts like overhead web path, automatic knife positioning, state-of-the-art drive and control systems, operator friendly interface, Webcontrol's slitting, rewinding and inspection equipment provides high efficiency production solutions.

## SLITTING

All slitter models are able to slit and rewind various types and qualities of flexible packaging materials as well as printed paper. The standard slitter production line includes differential rewind shafts and automatic tension control on unwind and rewind. The slitting section offers razor slitting in air or groove, and shear slitting with wrapped or tangential web path using individual manual or pneumatically controlled knife holders. Semi-automatic or fully automatic positioning is available on select models.

## REWINDING & INSPECTION

Quality control is an important matter in the production process. Webcontrol provides several machine models to meet all requirements on inspection to supply a defect free finished roll product. All models are built standard with bi-directional operation.



Continuously innovate and manufacture machines with superior quality and reliability.



Exceptional incorporation of mechanical and electrical control systems to assure & optimize machine performance.



Consistently improve customer relations.

## ABOUT US

Webcontrol Machinery Corp. and Yo Den have specialized in manufacturing converting machines for flexible packaging and shrink sleeve materials since 1988.

Webcontrol constantly develops new technologies to continue offering superior production equipment at an affordable price range for the ever increasing demands. Innovative concepts combined with ergonomic and operator friendly designs improve efficiency, reduce down time, and increase production for a high quality finished product. For printed materials, Webcontrol offers Inspection Machines with 100% optical defect detection to allow defect removal before lamination or slitting.

Besides Slitting, Rewinding and Inspection machines, Webcontrol manufactures Solvent and Solventless Laminators, Rotogravure Printer Presses and Seaming Machines for shrink sleeves.





# SLITTING

## IND Wide Web Slitter with Individual Rewind Station

This model has individual rewind stations and is available for speed up to 600 m/min. The rewind diameter is offered for 1000 mm and 1200 mm and the shaftless unwind diameter for up to 1500 mm. The IND center winding concept using individually driven rewind stations with contact roller on each rewind, features the best winding concept for high speed, large diameter finished rolls and light gauge material such as BOPP, BOPET, CPP etc.

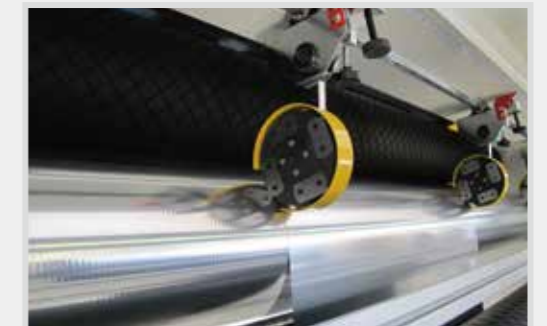


### Specification

- Speed: 600m/min
- Web Width: 2500 - 3600 mm
- Unwind Roll Cores: 3"(76), 6"(152)
- Unwind Diameter: 1000/1200/1500mm
- Rewind Diameter: 1000/1200mm
- Rewind Width: 350-1200mm
- Rewind Roll Cores: 3"(76), 6"(152)

### Features

- Overhead Web Path
- Shaftless Unwind With Roll Lift-in
- Driven Unwind With Double Dancer Control
- Auto. Knife Positioning System



## UHS-TR ULTRA TURRET Increased Production with Turret Rewind

### Various Type of Finished Reel Unloading System.

From manual type to fully automatic type to shorten the working time and increase the production capacity.

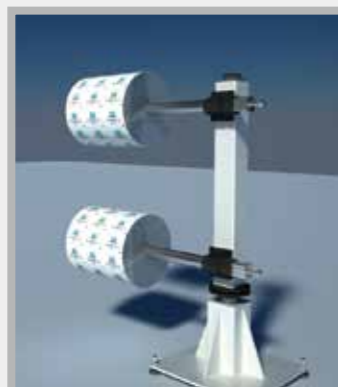


### Specification

- Speed: 500 / 600 m/min
- Web Width: 1300 / 1600 / 1800 mm
- Min. Web Width: 300 mm
- Unwind Roll Cores: 3"(76), 6"(152)
- Unwind Diameter: 1000 / 1200 mm
- Rewind Diameter: 600 mm
- Rewind Width: 50 mm upwards
- Rewind Roll Cores: 3"(76), 6"(152)

### Features

- Shaftless Unwind With Roll Lift-in
- Vacuum Transport Roller
- Auto. Knife Positioning System
- Turret Rewind
- Individual Lay-on Roller
- Rewind Differential Shaft
- Downtime from Stop to Restart less than 40s
- Auto. Cut and Transfer
- Laser Core Positioning
- Finished Roll Push - off Device
- Finished Roll Handling
- Auto. Tape Device
- Auto. Core Loader



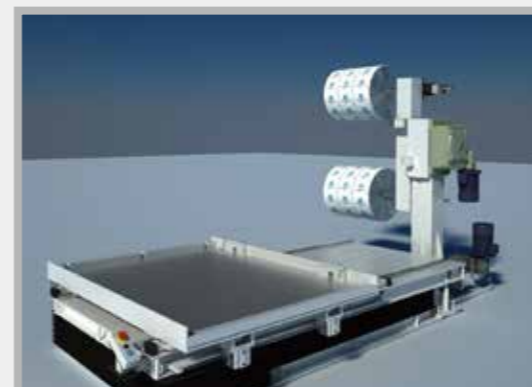
Fixed Type



Pivoting Type



Automatic Unloading



Automatic Unloading with Pick-Up Table



# SLITTING

## JHS ULTRA MAX High Speed Performance



### Specification

- Speed: 600 / 800 m/min
- Web Width: 1300 / 1600 / 1800 mm
- Min. Web Width: 300 mm
- Unwind Roll Cores: 3"(76), 6"(152)
- Unwind Diameter: 1000 / 1200 mm
- Rewind Diameter: 800 mm
- Rewind Width: 50 mm upwards
- Rewind Roll Cores: 3"(76), 6"(152)

### Features

- Overhead Web Path
- Shaftless Unwind With Roll Lift-in
- Driven Unwind With Dancer Control
- Vacuum Transport Roller with S warp
- Auto. Knife Positioning System
- Linear Lay-on Roller Device
- Rewind Differential Shaft
- Finished Roll Push-Off Device
- Finished Roll Handling

## UHS-II ULTRA Most Versatile



### Specification

- Speed: 500 / 600 m/min
- Web Width: 1300 / 1600 / 1800 mm
- Min. Web Width: 300 mm
- Unwind Roll Cores: 3"(76), 6"(152)
- Unwind Diameter: 1000 / 1200 mm
- Rewind Diameter: 800 mm
- Rewind Width: 50mm upwards
- Rewind Roll Cores: 3"(76), 6"(152)

### Features

- Shaftless Unwind With Roll Lift-in
- Vacuum Transport Roller with S wrap
- Auto. Knife Positioning System
- Pendulum Lay-on Roller Device
- Rewind Differential Shaft
- Rewind Web Clamping
- Laser Core Positioning
- Finished Roll Push-Off Device
- Finished Roll Handling

# SLITTING



**HSI** CLASSIC  
Best Value



**HSC** Compact



## Specification

- Speed: 400 / 500 m/min
- Web Width: 1300 / 1600 mm
- Min. Web Width: 300 mm
- Unwind Roll Cores: 3"(76), 6"(152)
- Unwind Diameter: 1000 / 1200 mm
- Rewind Diameter: 600 mm
- Rewind Width: 50 mm upwards
- Rewind Roll Cores: 3"(76), 6"(152)

## Features

- Shaftless Unwind With Roll Lift-in
- Vacuum Transport Roller
- Individual Lay-on Roller
- Rewind Differential Shaft
- Rewind Web Clamping
- Laser Core Positioning
- Finished Roll Handling

## Specification

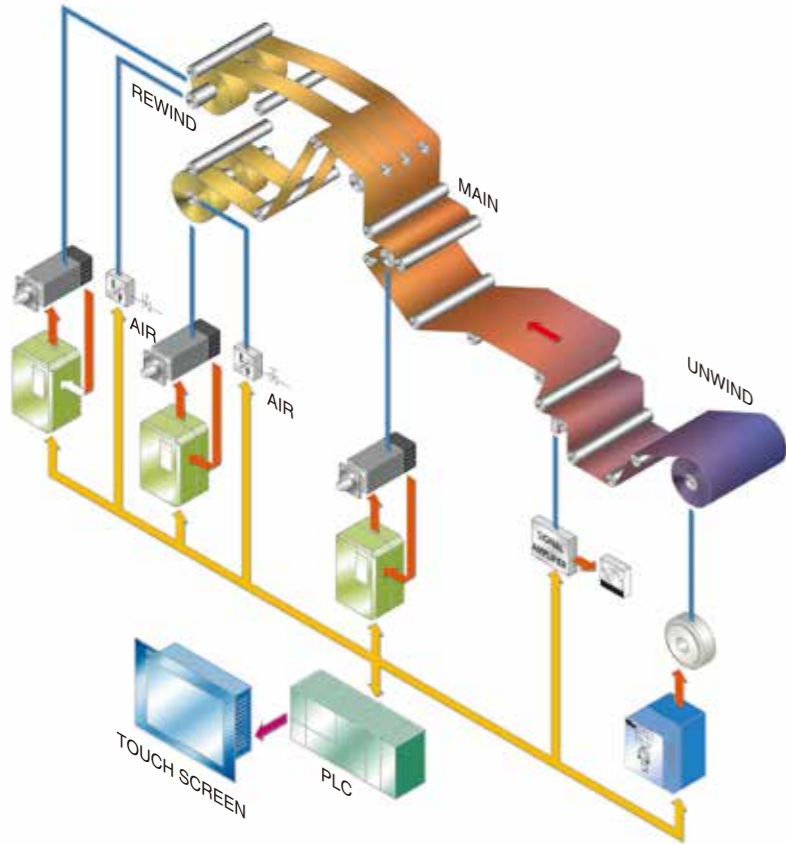
- Speed: 300 / 400 m/min
- Web Width: 800 / 1300 mm
- Min. Web Width: 300 mm
- Unwind Roll Cores: 3"(76), 6"(152)
- Unwind Diameter: 800 / 1000 mm
- Rewind Diameter: 600 mm
- Rewind Width: 50 mm upwards
- Rewind Roll Cores: 3"(76), 6"(152)

## Features

- Shaftless Unwind With Roll Lift-in
- Nip Roller
- Pendulum Lay-on Roller Device
- Rewind Differential Shaft
- Rewind Web Clamping
- Mechanical Core Positioning
- Finished Roll Handling



# SLITTING



## Slitting Machine Control System

### Slitting Section

Webcontrol offers two slitting systems. Depending on materials to be processed either razor slitting in groove and air or shear slitting. Shear slitting is offered with individual manual or pneumatically operated top knife holders. Automatic knife positioning for top and bottom knives are optional.



Razor Cutter System



Shear Knife System



Pneumatic Knife System  
(Auto. / Manual set up)

### Edge-Trim Rewinder Machine

Synchronizes with the line speed of the slitting machine. Liner guide is equipped for stable oscillation.



### Core-less type

Mechanical expanding shaft for winding trims, no need paper core, easy unloading.



### Differential Rewind

All models come with differential rewind shaft, two design of rewind shaft with ball lock friction elements for precision rewind tension control. Standard rewind shafts remain unchanged for any slit width of 50 mm and up. Optional available for 25 mm and up.



#### ◀ Piston Design

Double row of balls expand by inner piston, create lower winding tension.  
Width of friction ring-25mm



#### ◀ Inner Friction Design

Double row of balls expand by inner tube ensure holding core tightly in place. Excellent friction performance is suitable for sensitive films. No spacers, no adjustment for various slit width.  
Width of friction ring- 25 mm

### Vacuum Transport Roller



Webcontrol utilizes a vacuum drum to keep the web from moving after it has been aligned. This permits users to achieve maximum slitting speed whilst maintaining tension isolation and control precision.

### Web Guide System



Webcontrol utilizes E+L EPC / LPC, which is a market leader with world wide service support.

### Individual lay-on roller

Easy and quick change from full width to individual lay-on rollers to compensate for large thickness variations, or low rewind tension requirements.



### Web Clamping Device

On the unwind / rewind side with the web clamping device to keep the tension as well as the web position. Easily & quality to start new job.



Unwind Web Clamp



Rewind Web Clamp

### Paper Core Positioning System

For precise and quick core setting



Laser



Mechanical

### Splicing Table

For a precision splice of a new web to an existing web





## INSPECT-S Print Roll Inspection

Two models are offered for wide web inspection after printing or laminating. Defect detection systems for 100% continuous inspection are optional. Inspected materials can be laminated and slit with zero defect.



ONE SIDE INSPECTION

### Specification

- Speed: 300 / 400 m/min
- Web Width: 1300 / 1600 mm
- Min. Web Width: 300 mm
- Unwind Diameter: 800 / 1000 mm
- Rewind Diameter: 800 / 1000 mm

### Features

- Shaftless Unwind and Rewind
- Roll Lift-in System
- Auto. Reverse Function
- Inspection Table
- Integration of 100% Inspection Camera
- Edge Trim Slitting



DOUBLE SIDE INSPECTION

### Specification

- Speed: 300 m/min
- Web Width: 1300 / 1600 mm
- Min. Web Width: 300 mm
- Unwind Diameter: 800 / 1000 mm
- Rewind Diameter: 800 / 1000 mm

### Features

- Shaftless Unwind and Rewind
- Roll Life-in System
- Auto. Reverse Function
- Two Inspection Tables
- Integration of 100% Inspection Camera
- Ergonomic Design for Double Side Inspection

## INSPECT-V600 Finished Roll Inspection

The Inspect-V model is suitable for rewinding out of spec. finished rolls and inspecting for defects. The three motor drive and advanced control system ensures stable tension regulation.



### Specification

- Speed: 300 m/min
- Web Width: 600 / 800 mm
- Min. Web Width: 50 mm
- Unwind Diameter: 600 / 800 mm
- Rewind Diameter: 600 / 800 mm

### Features

- Cantilevered Unwind and Rewind
- Auto. Reverse Function
- Inspection Table with Stroboscope
- Integration of 100% Inspection Camera
- Edge Trim Slitting

## DOCTOR-300FB

### Narrow Web Labels High Speed Doctoring



### Specification

- Speed: 400 m/min
- Web Width: 300 mm
- Min. Web Width: 30 mm
- Unwind Diameter: 600 mm
- Rewind Diameter: 600 mm

### Features

- Cantilevered Unwind and Rewind
- High Speed Roll Doctoring with Precision
- Auto. Reverse Function
- Unwind and Rewind Edge Guides
- Closed Loop Tension Control
- Pneumatic Lay-on Rollers



# INSPECTION

## INSPECT-H / INSPECT-J PLUS

### Shrink Sleeves Inspection

These two models are suitable for shrink sleeves. After inflation device to inspect the seam quality are possible.



INSPECT-H

#### Specification

- Speed: 300 m/min
- Web Width: 300 / 400 mm
- Min. Web Width: 50 mm
- Unwind Diameter: 600 mm
- Rewind Diameter: 600 mm

#### Features

- Cantilevered Unwind and Rewind
- Auto. Reverse Function
- Rewind Edge Guides
- Oscillation Rewind
- Continuous Dual Perforation

#### Specification

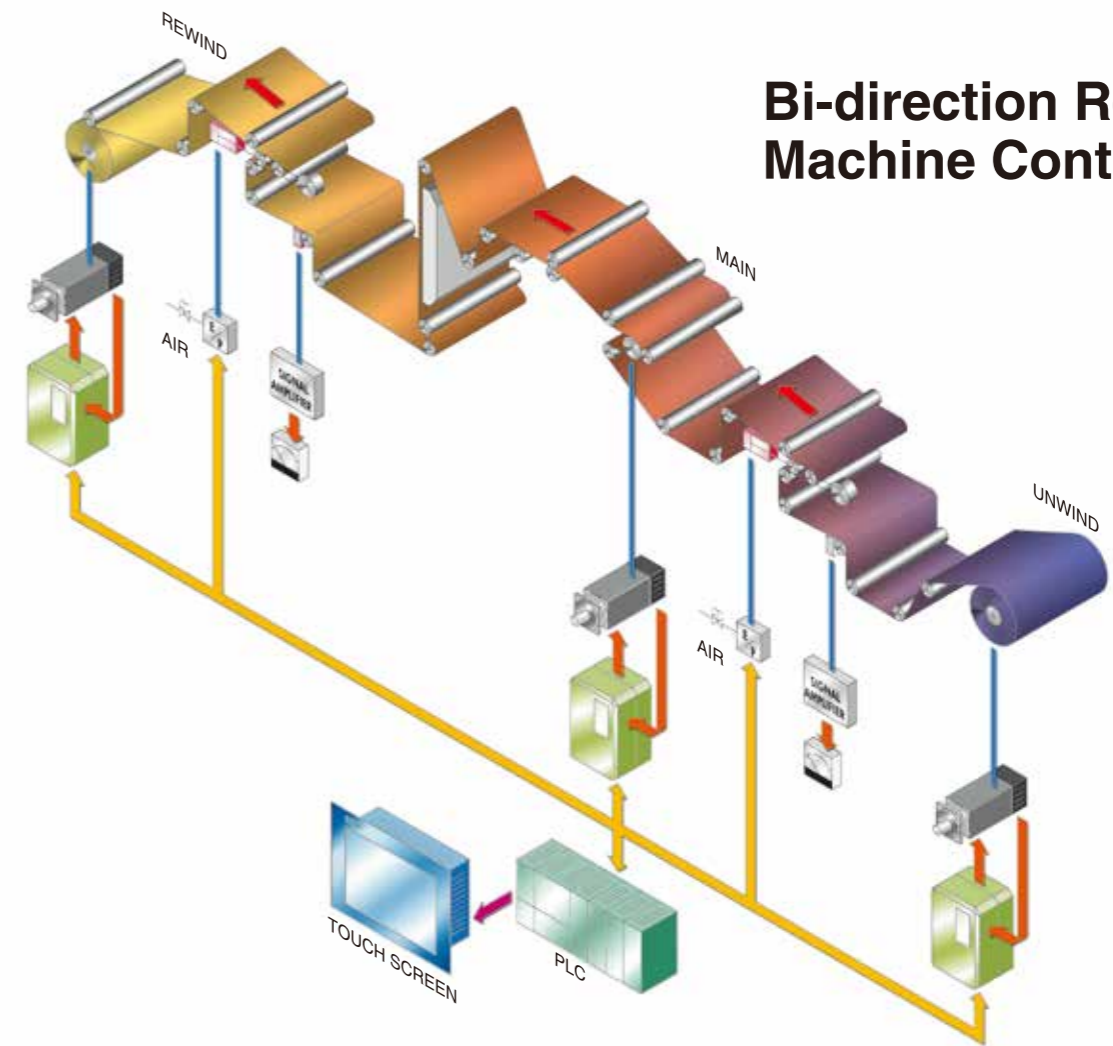
- Speed: 400 / 500 m/min
- Web Width: 300 / 400 mm
- Min. Web Width: 50 mm
- Unwind Diameter: 600 mm
- Rewind Diameter: 600 mm

#### Features

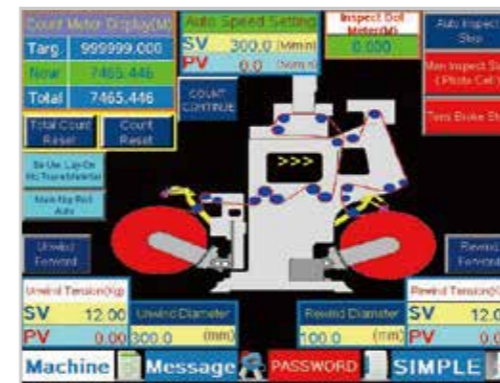
- Edge Guides on Both Unwind and Rewind
- Auto. Reverse Function
- Dancer Tension Control
- Oscillation Adjustment, Sine or Square Type, via HMI



INSPECT-J PLUS



### Bi-direction Rewinder Machine Control System



#### Human-Machine Interface (HMI)

All models come standard with HMI touch screen interface. The touch screen has high resolution color as well as long service life.



#### Memory Function

When any defect is detected by human-eyes, press INSPECTION button and then the machine reverses automatically, the defects will be stopped at center of inspection table for operator to easily find and cut off the part.

# SLITTING & INSPECTION

## KSI ProLabel / KSI ProCombi Label Rewind & Slitting Section



**PRO LABEL**  
Self Adhesive Label Stock



**PRO COMBI**  
Unsupported Film Structures & Self Adhesive Label Stock

KSI FEATURES	ProLabel	ProCombi
Materials	Self Adhesive Label Stock	Unsupported Film Structures & Self Adhesive Label Stock
Available Width	350 / 450 mm	450 / 650 mm
Speed	300 m/min	300 m/min
Unwind Diameter	700 / 1000 mm	800 / 1000 mm
Rewind Diameter	500 mm	600 mm
Unwind Splice Table	Standard	
Unwind Tension System	Auto. Control by Calculation	Auto. Control by Load Cell
Unwind Shaft	Cantilever Air Shaft	
Unwind Tension Control	Powder Brake	Driven AC Vector Motor
Unwind Edge Guide	E+L Germany - Ultrasonic Edge Guide Line & Edge (Optional)	
Separate Unwind for 1000mm Diameter Unwind Rolls	Optional	
Nip Design	Driven AC Vector Motor Pneumatically Actuated	
Rewind Operator View Table	Standard, Synchronized Stroboscope	
Rewind Shafts	Single Shaft Bi-directional	Twin Shaft Bi-directional
Rewind Standard Shafts	Quick Change Air Shaft	
Rewind Differential Shaft	N/A	Width 15 & 25 mm (Optional)
Rewind Tension System	Auto. Control by Independent Load Cell	Auto. Control by Independent Load Cell for Each Shaft
Rewind Tension Control	Driven AC Vector Motor	Independent Twin Driven AC Vector Motor
Lay-on Roller for Rewind Shafts	N/A	Standard
Web Clamps for Rewinds	Standard	
Waste & Trim Removal	Optional	
Splice Table	Standard	
Razor Slitting	N/A	Standard - 3 Knives
Shear Slitting	Standard - 3 Knives	3 Knives - Cartridge (Optional)
Flag Detection	Optional	
Missing Label & Label Counting Function	Optional	
Capacitive Sensor	Optional	
Reflective Sensor	Optional	
Vision System for 100% Inspection Separate Stand for Vision System Installation	<ul style="list-style-type: none"> <li>• Accumulation included for fault position, fault will stop at operator viewing table</li> <li>• If fault defect confirmed, operator jogs fault to splice table</li> <li>• Machine speed during 100% inspection - 300 m/min</li> <li>• Web guide system and mechanical device for swing table for vision system requirements (Optional)</li> </ul>	